



# EYOS TENDERS

**Castoldi Jet 23**



### Description

2011 Castoldi Jet 23 used as guest tender on a well-known superyacht. The mothership is a privately owned boat that does not charter. This is a very popular Superyacht tender brand due to the low profile and huge capacity for passengers. Ideal guest tender. Well priced, please contact to find out more.

## SPECIFICATIONS

### **DIMENSIONS:**

Length o. a.: 7,10 m  
Beam max: 2,68 m  
Inside breadth: 1,57 m  
Height max. for storage: 1,24 m (with folded console)  
Inflatable tube diameter: 0,50 m (at transom)

### **HULL TYPE:**

Hard chine deep V monohedric hull with spray-rails and 20° of deadrise at transom, specifically developed for waterjet propulsion system.

### **SEATING CAPACITY:**

No. 14

### **PASSENGER CABABILITY (C.E. Directive):**

No. 14

## **CONSTRUCTION:**

### **Hull:**

Single skin structure, hand laid Kevlar and vinylester resin.

### **Deck, console:**

Sandwich structure, hand laid glass and isoftalic polyester resin with nidaplast core.

### **Stringer system:**

Sandwich structure, hand laid Kevlar and vinylester polyurethane closed cell foam core.

### **Inflatable tubes:**

Hypalon / Neoprene coated polyester fabric 1670 Dtex with no.6 separate airtight compartments.  
Quick in-out tube system connection.

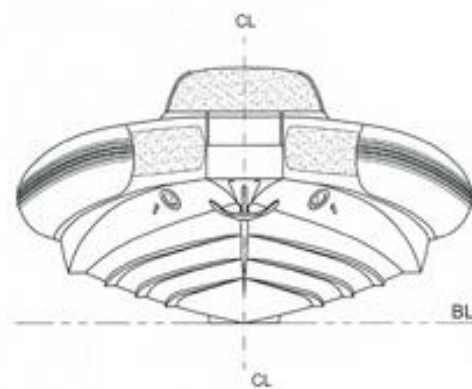
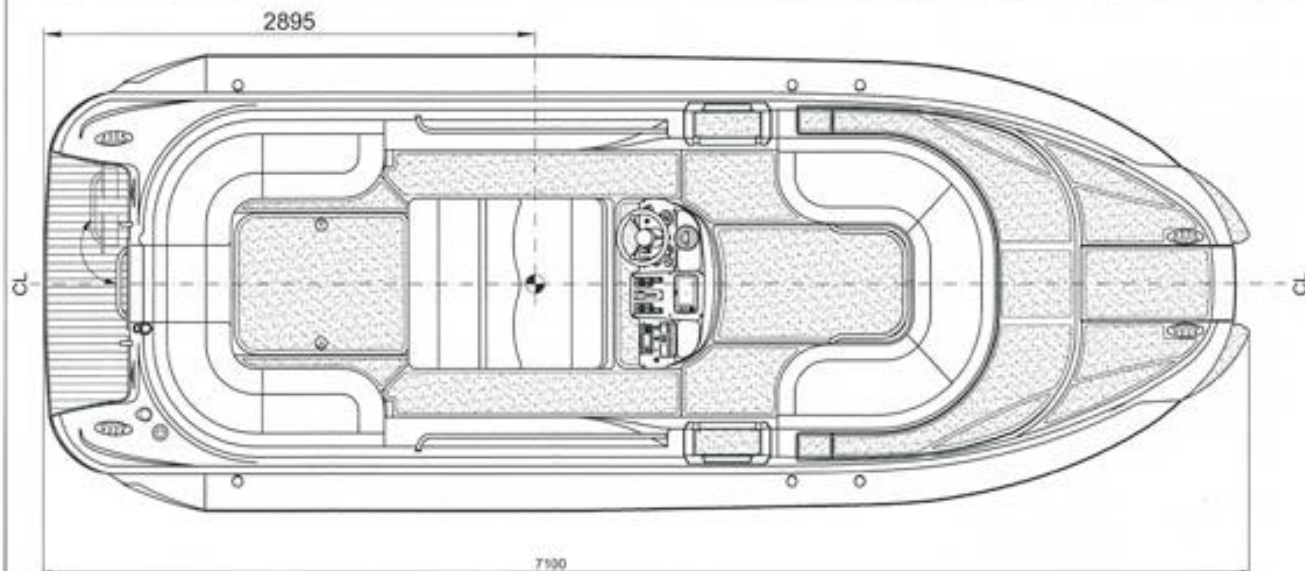
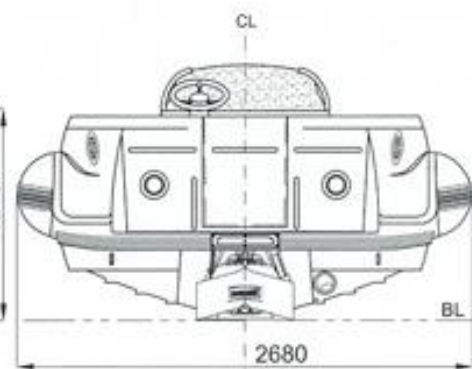
## **PROPULSION SYSTEM:**

No. 1 Castoldi Turbodrives 284 H.C. waterjet drive with disconnecting multi-disc hydraulic clutch, movable grid on water intake, stainless steel impeller, titanium liner on impeller housing and Clear-Duct system.

Further factory images:







 CENTER OF GRAVITY

**JET TENDER 23**



CASTOLDI S.p.A. Strada Provinciale 114, n° 10 - 20080 ALBARATE - MILANO - ITALIA



# EYOS TENDERS

EYOS TENDERS SL  
Muelle Viejo S/N,  
Edificio Nave STP,  
Oficina 11<sup>a</sup> / 12<sup>a</sup>, STP,  
Palma de Mallorca  
07012, Spain

TEL: +34 971 285 074  
E-mail: [info@eyostenders.com](mailto:info@eyostenders.com)